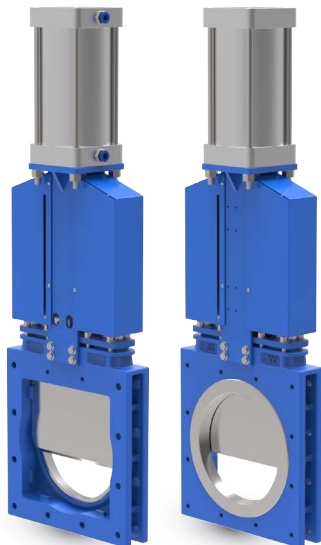


QD Series

Unidirectional seal Knife Gate Valve Slag disposal



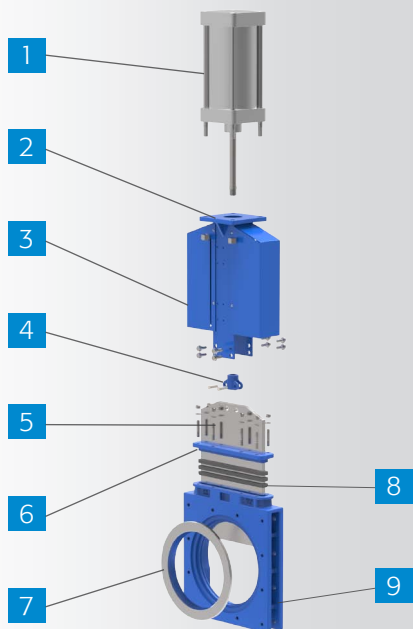
- Model:** QDZ43X
- Working Pressure:** DN150-DN200 10bar
DN250-DN400 7bar
DN450-DN550 5bar
DN600-DN700 3bar
- Type:** Flange
- Design Standard:** MSS SP-81
- Flange Standard:** PN10/PN16 150LB 10K TE TD
- Face to Face:** MSS SP-81
- Testing Standard:** API-598
- Operation:** handwheel, electric, pneumatic, hydraulic, sprocket, electro-hydraulic, gear
- Main material:** GGG40,WCB,CF8,CF8M
- Wedge material:** SS316L,SS304
- Sealing material:** EPDM,Metal to Metal
- Packing:** Aramid fiber,high-water-based rubber packing graphite wheel
- Applicable medium:** Applicable for Dust,Solid Particles,Coal, oil, chemical and so on.Slag, cinder,dislagging recommend.

Features:

- # Unidirectional seal
- # 1PC Body design
- # Full port design
- # Valve cavity no detention
- # Dust cover protect stem
- # Mixed with a variety of materials packing

Product Description:

QD Series The type of unidirectional knife gate valve is sealed between the gate plate and the closed cover. It is mainly metal seal. This type of Valve is preferably installed horizontally. It is widely used in other fields such as power plants and other fields with the advantages of non-jammed materials, solid structure, and long life.



Code	Name	Material	QTY
1*	Cylinder	Aluminum	1
2	Yoke	A3	1
3	Dust Cover	A3	2
4	Chuck	WCB	1
5	Disc	SS304/SS316L	1
6	Packing Gland	WCB/CF8	1
7	Seat Contrainer	WCB/CF8	1
8	Packing	Aramid PTFE	3-5
9	Body	WCB/GGG40/CF8	1

*electric, pneumatic, hydraulic, sprocket, electro-hydraulic, gear **available**